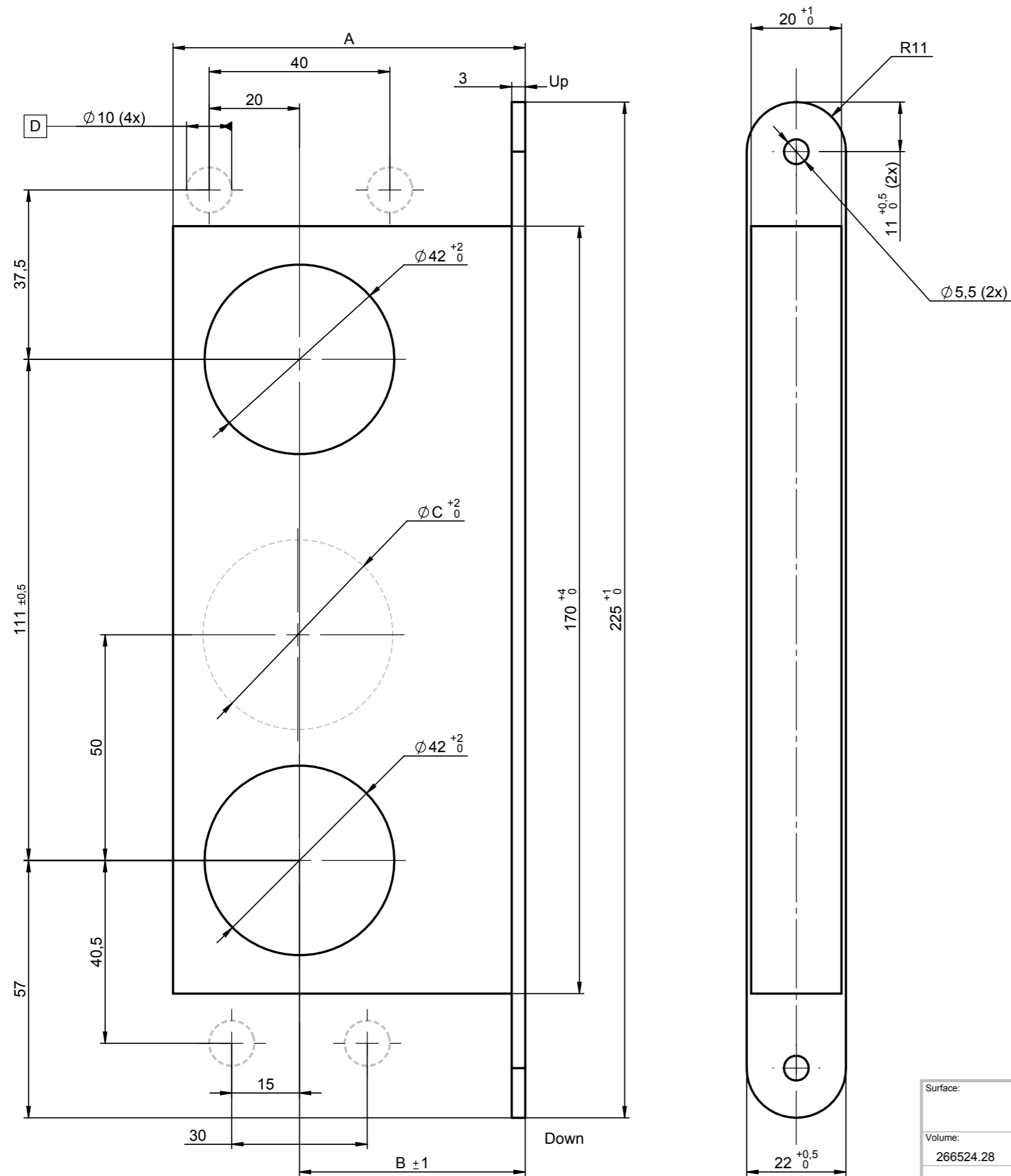


Date 2012-09-03	Material / billet size ----	Hardening / surface treatment	General tol. ISO 2768-M	General surface
Designed by LANY	Drawn by YNER	EMERGENCY EXIT DEVICE MEASURE DRAWING 179 A		Projection 1:1
Scandinavia ASSA AB		Alt. ID	----	----
		Item number	000040214	Revision 1

This document is our property and shall not without our permission be altered, copied, used for manufacturing or communicated to any other person or company.

Revision	Date	Sign
4	2015-02-06	MaHi



Backset dimension		
Backset	A (mm)	B (mm)
50	78 MIN	50
70	98 MIN	70

Centre cut	
Lock type	C (mm)
SS-EN 1125	24
SS-EN 179	42
ASSA 2002	24
ASSA 2500	24

D - Holes pertaining to this dimension refer to accompanying fitting for lock cases in the SS-EN 179 series

Dimensions and tolerances in accordance with SS817383 unless otherwise specified

Surface:			Material:			General tolerance: ISO 2768-1m			
Volume: 266524.28	Weight: 266.52	Surface area: 46658.65 mm ²	created:	designed by: MaHi	changed by: JoHi	Scale: 1:2 (A3)	Projection: 		
ASSA ABLOY ASSA OEM						Mortise drawing Connect -50 -70			Drawing number: 357992
									Document: 01